

## Wound Primary Indoor Current Transformer

**Model CTW3-60-T50  
CTWH3-60-T50 rev 051223**

### CERTIFICATIONS:

**APPLICATION:**

Relaying and metering

**FREQUENCY:**

50-400 Hz.

**MAXIMUM SYSTEM VOLTAGE:**

5.6Kv, BIL 60kV

**APPROXIMATE WEIGHT:**

20 lbs.

**CONTINUOUS THERMAL RATING FACTOR:**

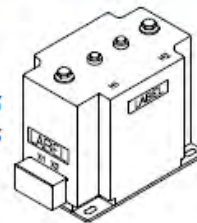
1.5 at 30°C., 1.33 at 55°C.

150:5 and 600:5- 1.33 at 30°C., 1.00 at 55°C.

250:5- 1.00 at 30°C., 0.85 at 55°C.



Model CTWH3  
with primary Bars



Model CTW3  
without primary Bars



Primary terminals are ½ - 13 bolts with one Belleville washer.

Secondary terminals are brass studs No. 10-32 with one flatwasher, lockwasher and regular nut.

Supplied with short circuit secondary terminal cover. Vacuum cast polyurethane resin. Other ratios, secondary currents and dual ratios are available. Refer to factory.

### MODEL CTW3-60-T50 & CTWH3-60-T50

Approximate weight: 20 lbs.

**CAUTION:** Use only the Belleville washers supplied. Tighten to between 25 to 30 foot-pounds. DO NOT OVERTIGHTEN

Catalog Number	Current Ratio	Relay Class	ANSI Metering Class at 60 Hz					**Thermal current Rating 1 Second RMS Amps
			BO.1	BO.2	BO.5	BO.9	B1.8	
CTW3-60-T50-050	5:5	T50	0.3	0.3	0.3	0.6	1.2	375
CTW3-60-T50-100	10:5	T50	0.3	0.3	0.3	0.6	1.2	1,000
CTW3-60-T50-150	15:5	T50	0.3	0.3	0.3	0.6	1.2	1,690
CTW3-60-T50-200	20:5	T50	0.3	0.3	0.3	0.6	1.2	1,900
CTW3-60-T50-250	25:5	T50	0.3	0.3	0.3	0.6	1.2	2,700
CTW3-60-T50-300	30:5	T50	0.3	0.3	0.3	0.6	1.2	2,700
CTW3-60-T50-400	40:5	T50	0.3	0.3	0.3	0.6	1.2	4,720
CTW3-60-T50-500	50:5	T50	0.3	0.3	0.3	0.6	1.2	4,720
CTW3-60-T50-750	75:5	T50	0.3	0.3	0.3	0.6	1.2	8,630
CTW3-60-T50-101	100:5	T50	0.3	0.3	0.3	0.6	1.2	8,630
CTW3-60-T50-151	150:5	T50	0.3	0.3	0.3	0.6	1.2	14,380
CTW3-60-T50-201	200:5	T50	0.3	0.3	0.3	0.6	1.2	17,250
CTW3-60-T50-251	250:5	T50	0.3	0.3	0.3	0.6	1.2	17,250
CTW3-60-T50-301	300:5	T50	0.3	0.3	0.3	0.6	1.2	37,800
CTW3-60-T50-401	400:5	T50	0.3	0.3	0.3	0.6	1.2	37,800
CTW3-60-T50-501	500:5	T50	0.3	0.3	0.3	0.6	1.2	37,800
CTW3-60-T50-601	600:5	T50	0.3	0.3	0.3	0.6	1.2	37,800

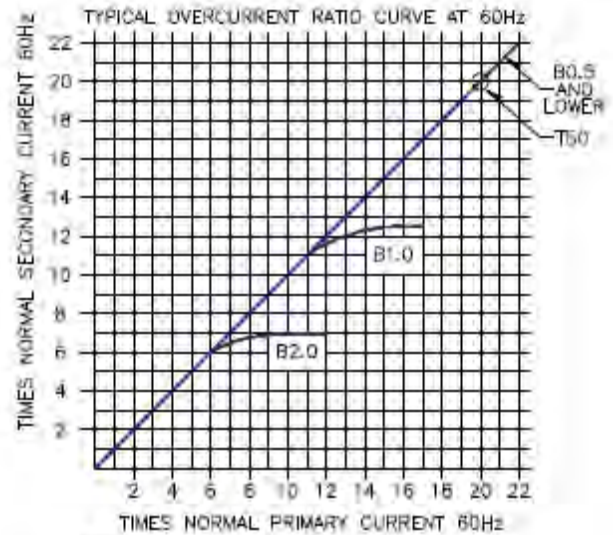
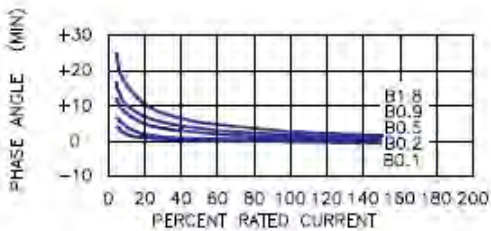
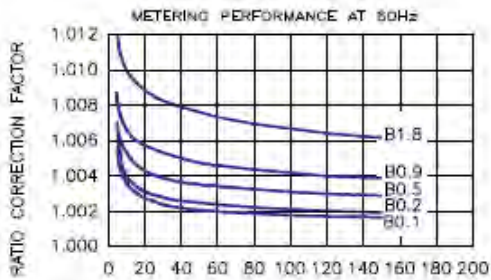
\*For ordering with primary bars, change model number to CTWH3.

\*\*With a burden of B0.1 or greater connected to the secondary.

Products are manufactured in a plant whose quality management system has been certified to be in compliance with ISO 9001:2015 by NQA

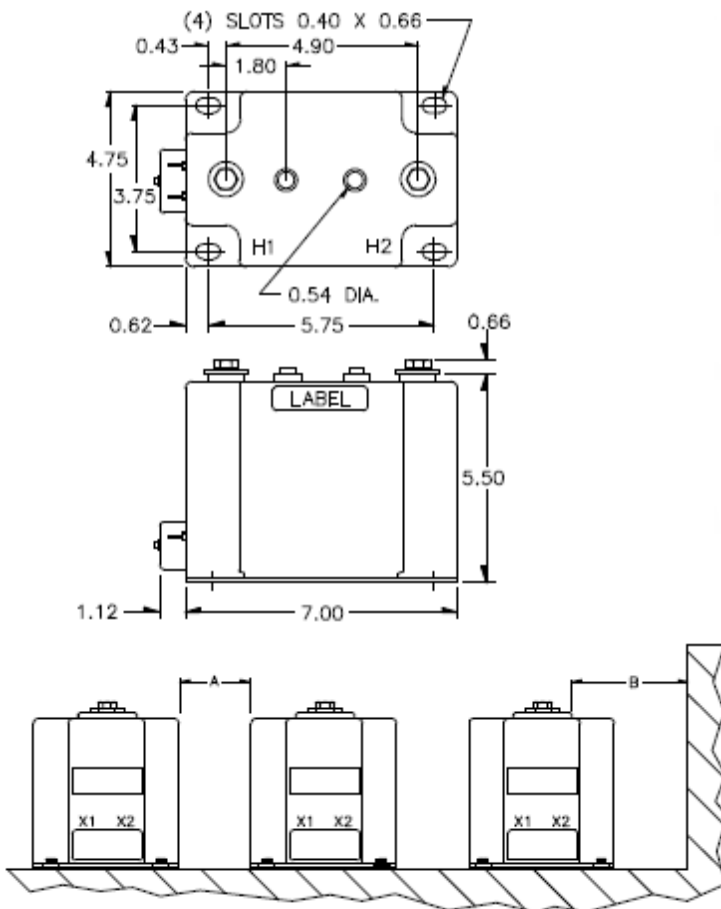
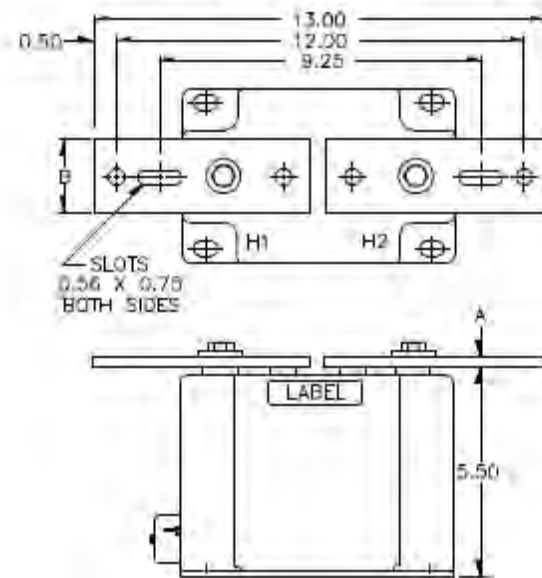
# Wound Primary Indoor Current Transformer

**Model CTW3-60-T50  
CTWH3-60-T50**



PRIMARY CURRENT	BAR SIZES	
	DIMENSIONS	
	A	B
5 TO 150A	0.38	1.50
200 TO 600A	0.25	2.00

WITH PRIMARY BARS



### RECOMMENDED MINIMUM SPACINGS

**A = Unit to Unit = 0.75" minimum.**  
**B = HV to Ground in Air = 3.00" minimum.**

Recommended spacing are for guidance only. User needs to set appropriate values to assure performance for high potential test, impulse test, high humidity, partial discharge, high altitude, and other considerations like configuration.