

Control Power Transformer

Model 3CPT3-60-15

3CPT5-95-15 rev 050919

CERTIFICATIONS:



FREQUENCY:

60 Hz.

THERMAL RATING:

15 kVA at 30°C. ambient

13 kVA at 55°C. ambient

80°C rise.

STANDARD SECONDARY VOLTAGE:

120 volts

INSULATION LEVEL:

CPT3: 5kV

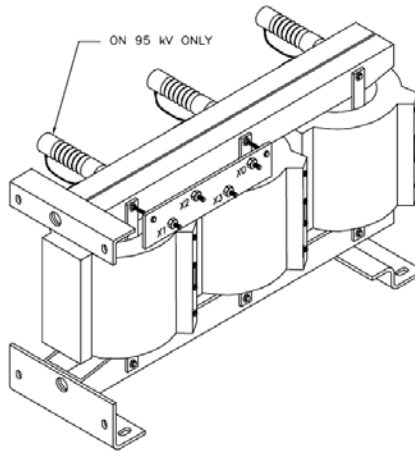
60 kV, 60 kV BIL full wave. 130°C

CPT5: 15kV,

95 kV, 95 kV BIL full wave. 130°C

APPROXIMATE WEIGHT:

650 lbs.



- Primary terminals are copper compression type lugs.
- Secondary terminals are brass studs ½-13 with one flat washer, star washer and two regular nuts.
- The high voltage coils are vacuum encapsulated in epoxy resin. Complete unit is varnish dipped.
- Supplied with taps on the primary side:
Cat. Suffix A –(1) ± 7-1/2% taps or
Cat. Suffix B –(2) ± 2-1/2% taps.
- Secondary typically 120/240 V operation.
- Available as unfused only.
- Vertical or horizontal mounting.
- Mounting base and frame is 7 ga. (0.188" thk) steel, with (8) 0.56 x 0.875 slots.
- For indoor use.

***CATALOG NO.	PRIMARY VOLTAGE	SECONDARY VOLTAGE	**FUSE RATING
3CPT3-60-15-242	2400	208Y/120	10E
3CPT3-60-15-4161	4160	208Y/120	7E
3CPT3-60-15-482	4800	208Y/120	5E
3CPT5-95-15-722	7200	208Y/120	5E
3CPT5-95-15-842	8400	208Y/120	5E
3CPT5-95-15-123	12000	208Y/120	3E
3CPT5-95-15-1242	12470	208Y/120	3E
3CPT5-95-15-1322	13200	208Y/120	3E
3CPT5-95-15-1382	13800	208Y/120	3E

*Note all fuse ratings are based upon NEC transformer overcurrent protection recommendations. Specific applications may require other ratings.

PRIMARY VOLTS	CONNECT
107.5%	1 – 2
100%	2 – 3
92.5%	3 – 4

1 ± 7-1/2% PRIMARY TAPS – SUFFIX "A"

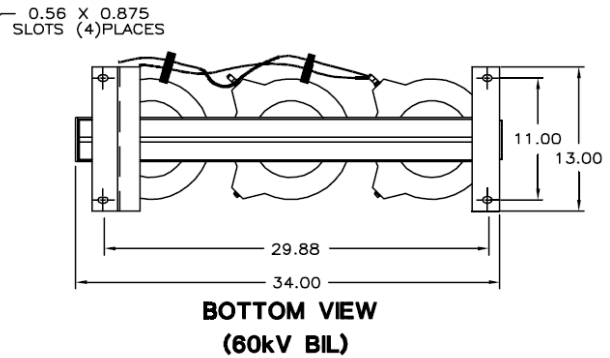
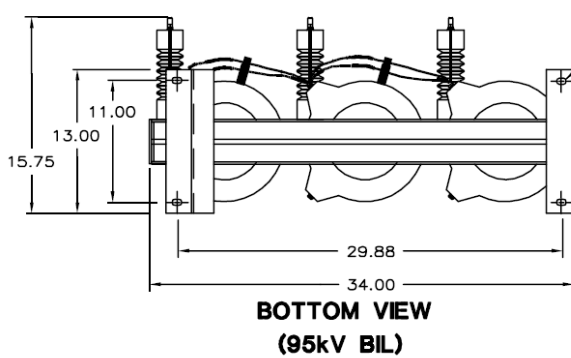
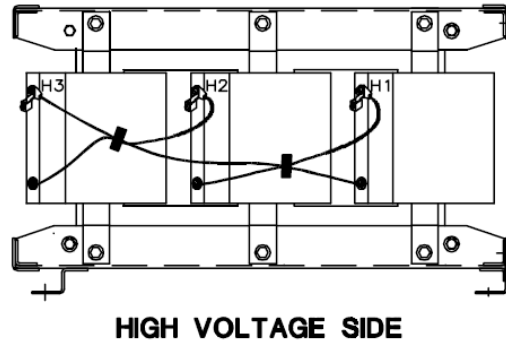
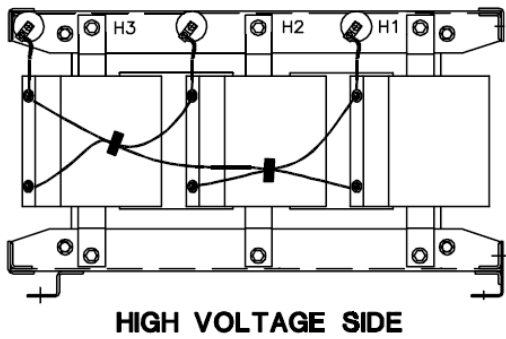
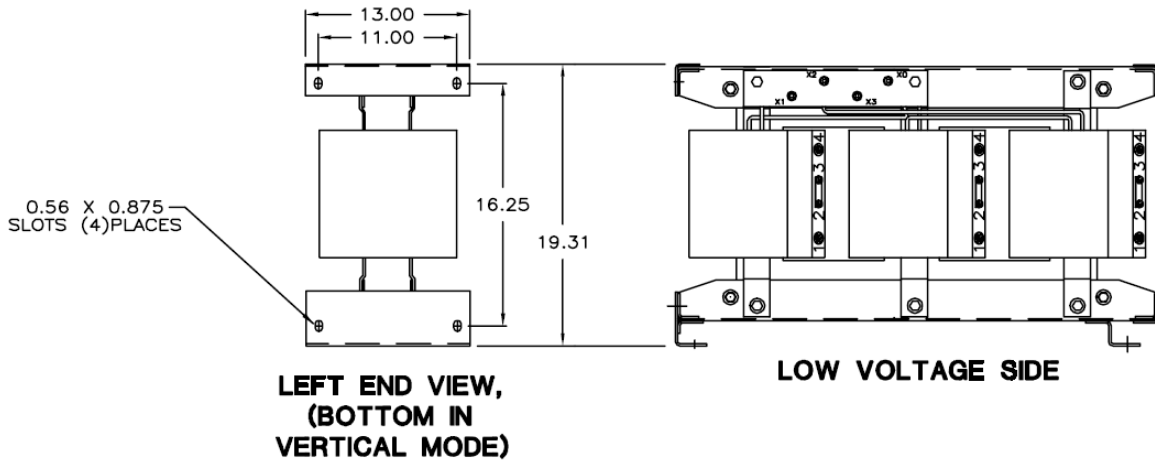
PRIMARY VOLTS	CONNECT
105%	1 – 2
102.5%	2 – 3
100%	3 – 4
97.5%	4 – 5
92.5%	5 – 6

2 ± 2-1/2% PRIMARY TAPS – SUFFIX "B"

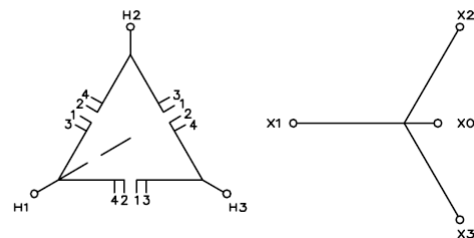
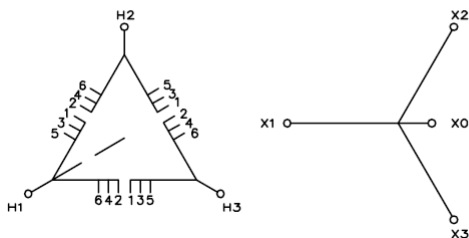
Products are manufactured in a plant whose quality management system has been certified to be in compliance with ISO 9001:2015 by NQA

Control Power Transformer

Model 3CPT3-60-15
3CPT5-95-15 rev 050919



FOR HORIZONTAL OR VERTICAL MOUNTING



Products are manufactured in a plant whose quality management system has been certified to be in compliance with ISO 9001:2015 by NQA