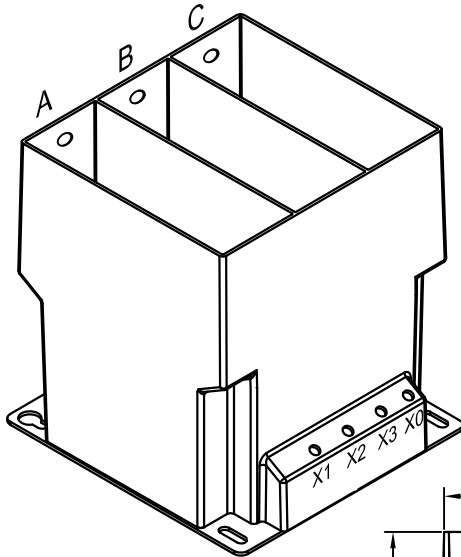


INDOOR VOLTAGE TRANSFORMER

Model: 3PT3 - 60-YY

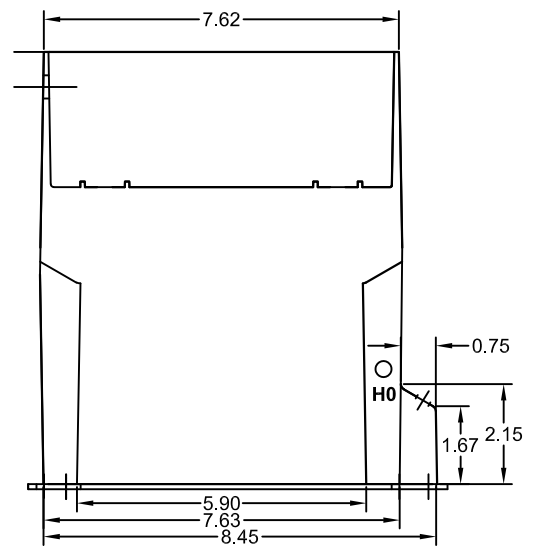
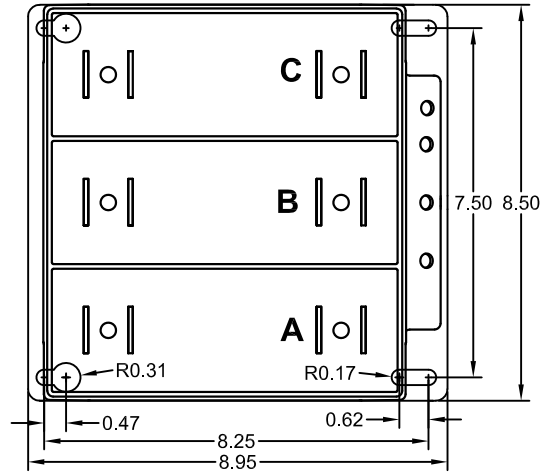
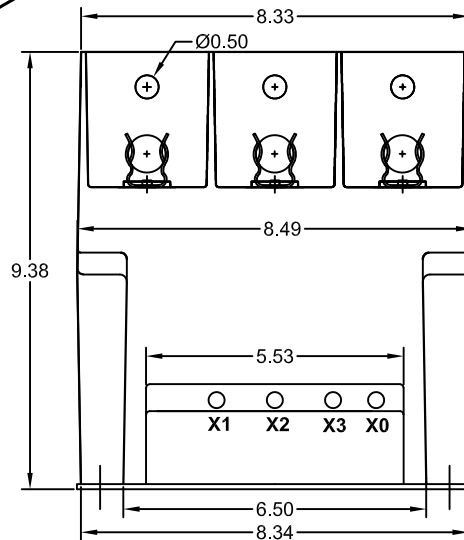
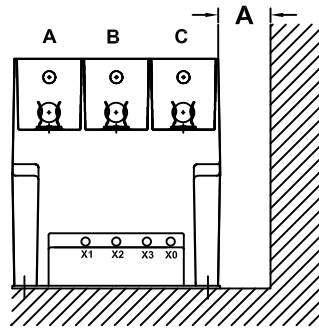
ACCURACY CLASS:
0.3W,, 1.2 X at 100% rated
FREQUENCY: 50 OR 60 Hz
INSULATION LEVEL:
7.2 kV, 60 kV BIL full wave
THERMAL RATING:
3 x 50 VA total at 30 deg.C
3 x 30 VA total at 55 deg.C
CONNECTION:
Primary: Y
Secondary: Y

- Primary and secondary terminal are brass screws No 10-32 with one flatwasher and lockwasher.
- Transformer winding is vacuum encapsulated in polyurethane resin with temperature insulation class of 105 ° C.
- Plated steel mounting base.
- For indoor use.
- Approximate weight 45 lbs.

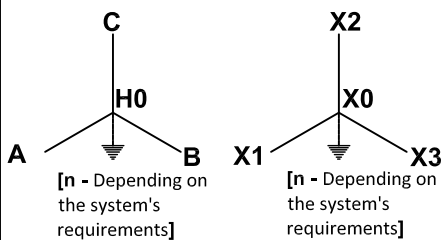
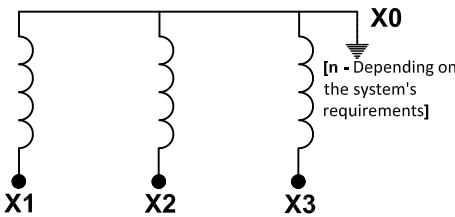
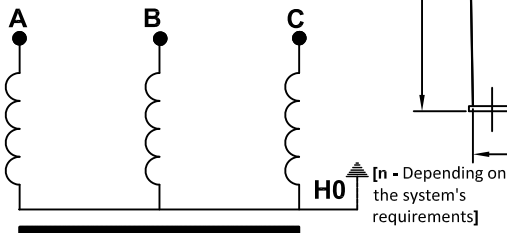


RECOMMENDED SPACING

A - CASE TO GROUND = 1.5" MIN



CONNECTION DIAGRAM



CATALOG NO	PRIMARY VOLTAGE	RATIO	SECONDARY VOLTAGE	FREQUENCY Hz	THERMAL RATING
3PT3-60-242-FFF-YY	2400	20:1	120	60	0.15 kVA
3PT3-60-332-FFF-YY	3300	30:1	110	50	0.15 kVA
3PT3-60-422-FFF-YY	4200	35:1	120	60	0.15 kVA
3PT3-60-482-FFF-YY	4800	40:1	120	60	0.15 kVA
3PT3-60-662-FFF-YY	6600	60:1	110	50	0.15 kVA
3PT3-60 722-FFF-YY	7200	60:1	120	60	0.15 kVA