

Before installing the VMX Compact Soft Starter thoroughly read the user manual included with this product on the CD or download the VMX user manual from www.motortronics.com (Mobile device friendly).

After all electrical connections have been made; apply power to the VMX soft starter. The display on the Digital Keypad should be reading [0000.]

IMPORTANT!

To operate the VMX soft starter the motor full load amps parameter F001 has to be programmed.

Motor Full Load Amps (FLA) can be found on the motor name plate.

F001 Programming Example: Shows how to enter motor full load amps nameplate data into parameter F001 (48A).



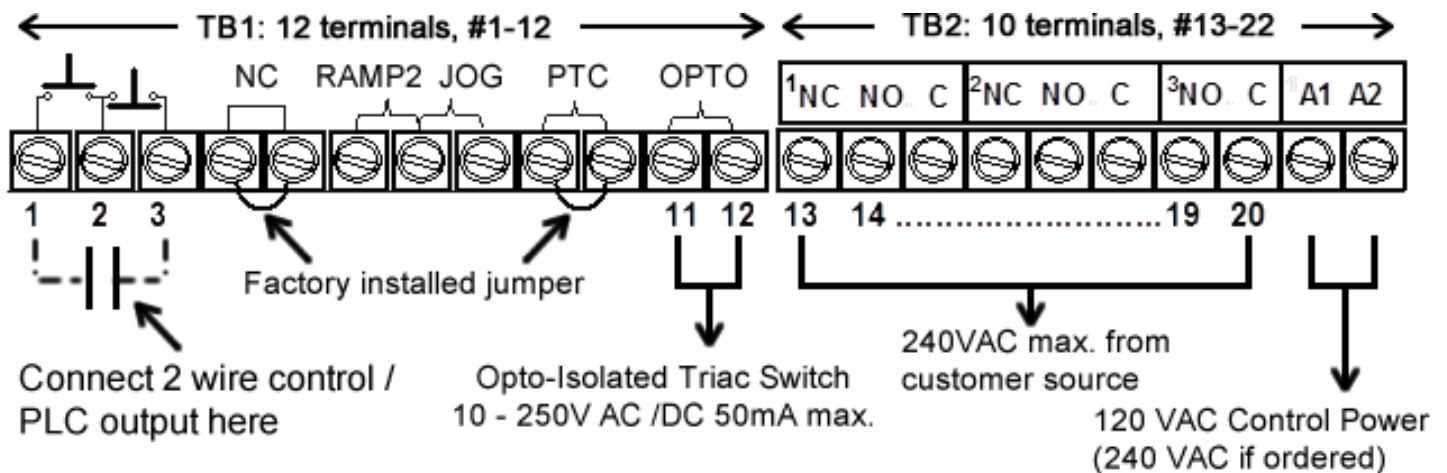
**MOTOR FLA (F001)
must be programmed
for unit to operate!**

Press Key...	Display Shows...	Means...
	0000.	Phase A Current
Fn	F001	Function #1 Selected
READ ENTER	0000	Previous Setting of Function #1
↑	0008	New Value of First Digit
←	0008	Cursor (flashing) Position Shift
↑	0048	New Value of Second Digit
READ ENTER	End	Value Accepted (flashes once)
	F001	Return to Function # Display

Two Wire Control: Relay / PLC Connection

Connect a dry (voltage free) maintained contact closure between terminals 1 and 3 as shown below. When this contact is closed, the VMX Series starter will start and run. When it is opened, it is the same as a Stop command.

Note: It is advisable to set the overload relay to the manual reset position. Verify FN005 = 0. This will prevent the motor from restarting if the thermal overload trips and then cools off.



Start-up Parameters and Factory Defaults

Fn #	Function Name	Factory Setting	Description / Factory Setting
F001	Motor Nameplate FLA.	0	FLA must be programmed for the starter to operate.
F002	Motor Nameplate Service Factor	1.0 SF	Change only if necessary and for motors rated above 1.0SF
F003	Overload Class During Start	Class 10	NEMA / UL Class 10
F004	Overload Class During Run	Class 10	NEMA / UL Class 10
F005	Overload Reset	0 (Manual)	0 = Manual
F010	Ramp Profile	1	Ramp 1 and Ramp 2 = Voltage Ramp with Current Limit
F011	Initial Torque	60	60% Initial Voltage
F013	Ramp Time	10	10 Second Ramp (Ramp 1)
F014	Current Limit	350	350% of programmed FLA
F015 – F018	Ramp 2 settings	---	Inactive unless Ramp 2 Input is closed
F019 – F052	Software protection and control features	---	Inactive unless selected
F053	Internal hardware protection features	127	All active
F054 – F059	Timer and counter value readouts	---	Read only
F060	Aux Relay #1	1	Run / Stop
F061	Aux Relay #2	2	At-Speed / Stop
F062	Aux Relay #3	16	Any Fault
F063	Aux Relay Delay	0	No Delay
F065 – F068	Communications	----	Not Used unless without optional Communication Adapter.
F070	Parameter Lock	0	User password disabled
F071	Reset Function	0	Use to reset to default values
F073 – F080	System settings and time clock	---	User choice to adjust clock
F085 – F093	Fault History	---	Read only

Fault Codes: Refer to the Fault Code List table 7.1 in the VMX user manual