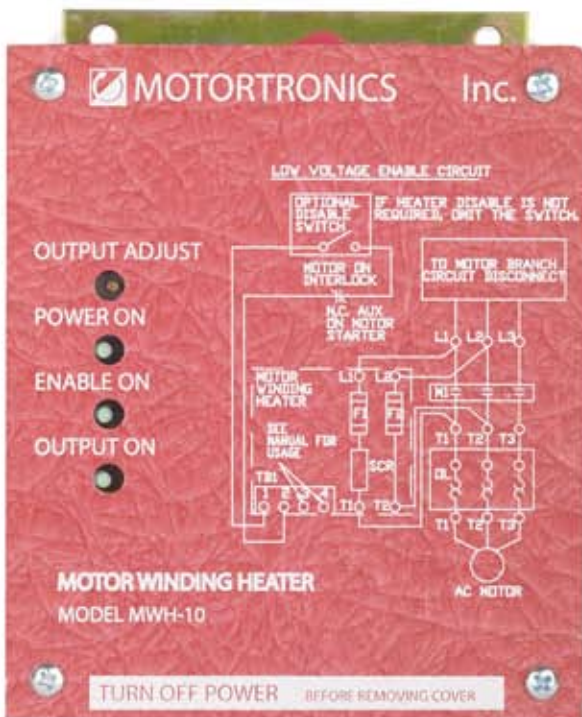


MWH

MOTOR WINDING HEATER CONTROLLER

3 TO 900 HP



The MWH Series keeps motors warm & moisture-free during extended shut down periods.

Perfect for Marine Applications.

No motor strip heaters to fail.



MWH: Easy to Install with Built-in Protection

Motor Winding Heaters

Even the best motor winding insulation materials become water permeable with repeated exposure to temperature extremes and moisture. If the ambient temperature is below the "dew point" when a motor is turned off, condensation will form inside the motor as it cools down.

When the motor is re-energized, the moisture heats up and permeates the windings, eventually shorting and damaging the motor. Airborne corrosive elements like salt and chemicals can also combine with condensation and erode the rotor and bearings, leading to premature motor failure.

The MWH Series provides a cost effective solution to these problems by preventing condensation build-up in motors. By applying a low level current to the motor windings during extended shut down periods, the MWH Series keeps AC motors warm and moisture-free.

Fully Automatic Operation

Designed for fully automatic operation, the MWH Series turns on when the motor starter has turned off. A built-in one minute timer ensures that the motor magnetic field has collapsed before it injects DC power into the windings. When the motor is restarted, the MWH Series instantly turns off. No operator interface is required... the MWH Series is in control.

Built-in Overload Sensing

The MWH Series had an optional shutdown input that can be connected to the N.O. auxiliary contact on the motor starter's thermal overload relay. This will disable the motor winding heater control, preventing any additional heating in the motor and allowing for a faster motor cool down period. The MWH Series then goes back on-line after the overload relay is reset.

MWH Series



CORPORATE HEADQUARTERS

Motortronics / Phasetronics

1600 Sunshine Drive
Clearwater, Florida 33765
Tel: 727.573.1819 or 888.767.7792
Fax: 727.573.1803 or 800.548.4104
E-mail: sales@motortronics.com
www.motortronics.com

INTERNATIONAL LOCATIONS

Motortronics Int'l Korea Co Ltd

601, Daeryung Techno Tower 5-cha
Gasan-dong, Geumcheon-gu
Seoul, Korea 9153-774
Tel: 82-2-867-5808 / Fax: 82-2-867-6004
www.motortronics-korea.com



M & P Machinery & Electronics Control

113 Zaoshan Road
Qingdao, China 266100
Tel: 86-532-87660633
Fax: 86-532-87660733
www.mp-cn.com

Easy to Install

Whether retrofitting an existing starter or installing a new one, the MWH Series is easy to apply. Just wire it in parallel to the magnetic starter's line and load connection, connect the necessary auxiliary contacts and installation is complete.

Simple Adjustment

Output voltage is factory set to maintain a +5° to 10°C differential above ambient temperature. This adjustment can be used to trim the control as required for each application.

Self Protected

In addition to built-in fuse protection, the MWH Series features an RC snubber circuit across the SCR which protects it from any rapid rate of change in the system voltage. A metal oxide varistor (MOV) protects the unit against voltage spikes for reliable, maintenance-free operation.

Optional

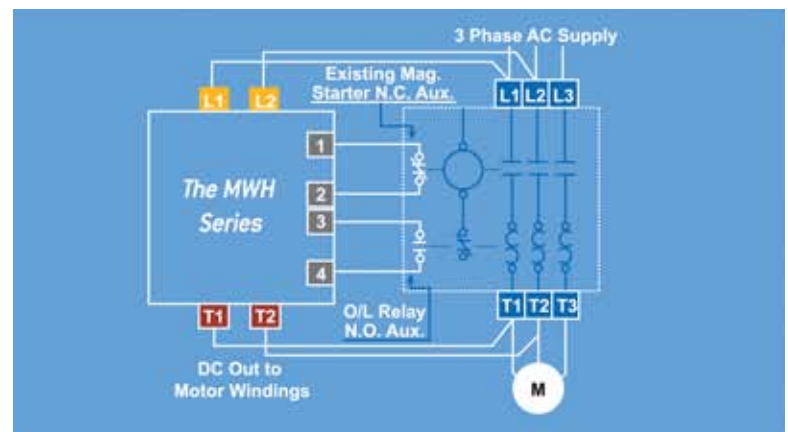
Output contactor for service.

Notice

The MWH is designed for use with full voltage non reversing starters, use with other types of starters or VFD's will require isolation contactors and additional logic.

Ideal Alternative to Strip Heaters

Eliminate the cost and hassle of installing strip heaters into your motors. Simply wire up the MWH Series to generate heat throughout the motor stator windings. The heat is dissipated evenly without the "hot spots" caused by strip heaters. Conduction of heat to the rotor, bearings and shaft is also more effective which means maximized protection for the whole motor.



PN: MWH040416